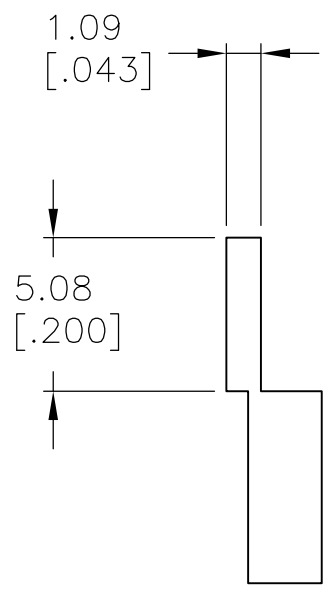
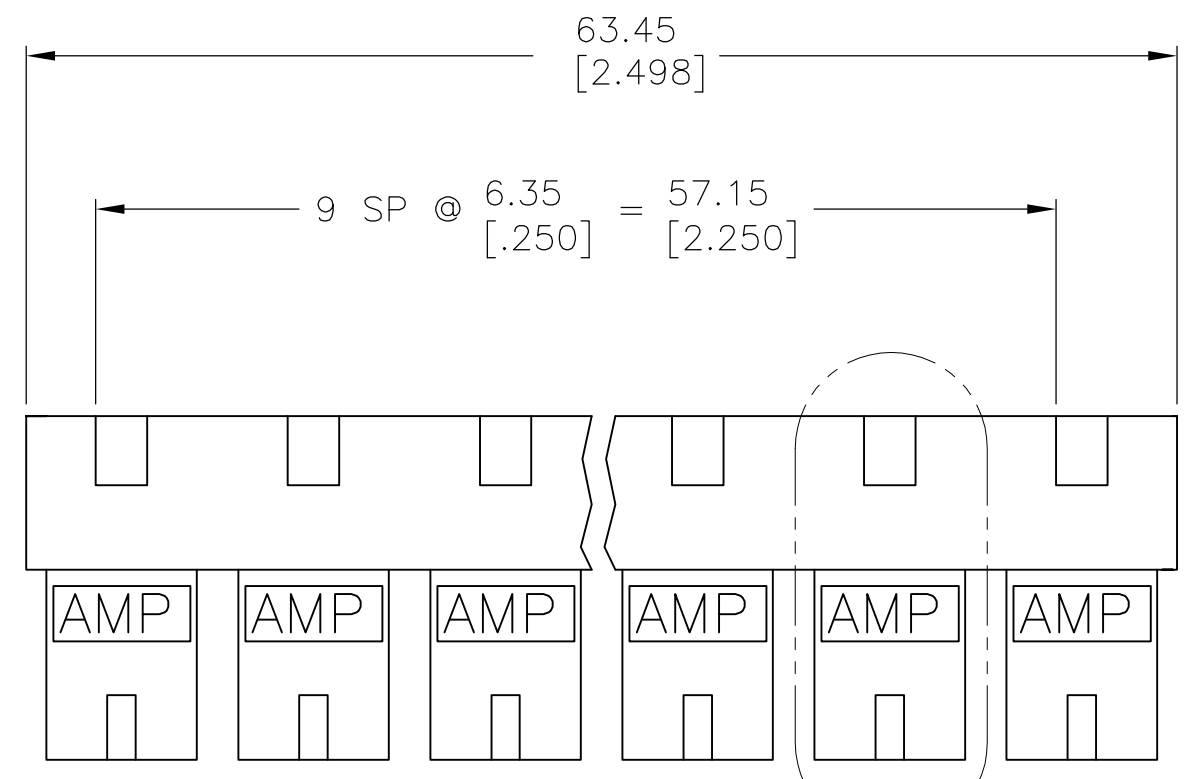


THIS DRAWING IS UNPUBLISHED. RELEASED FOR PUBLICATION
 © COPYRIGHT - By - ALL RIGHTS RESERVED.

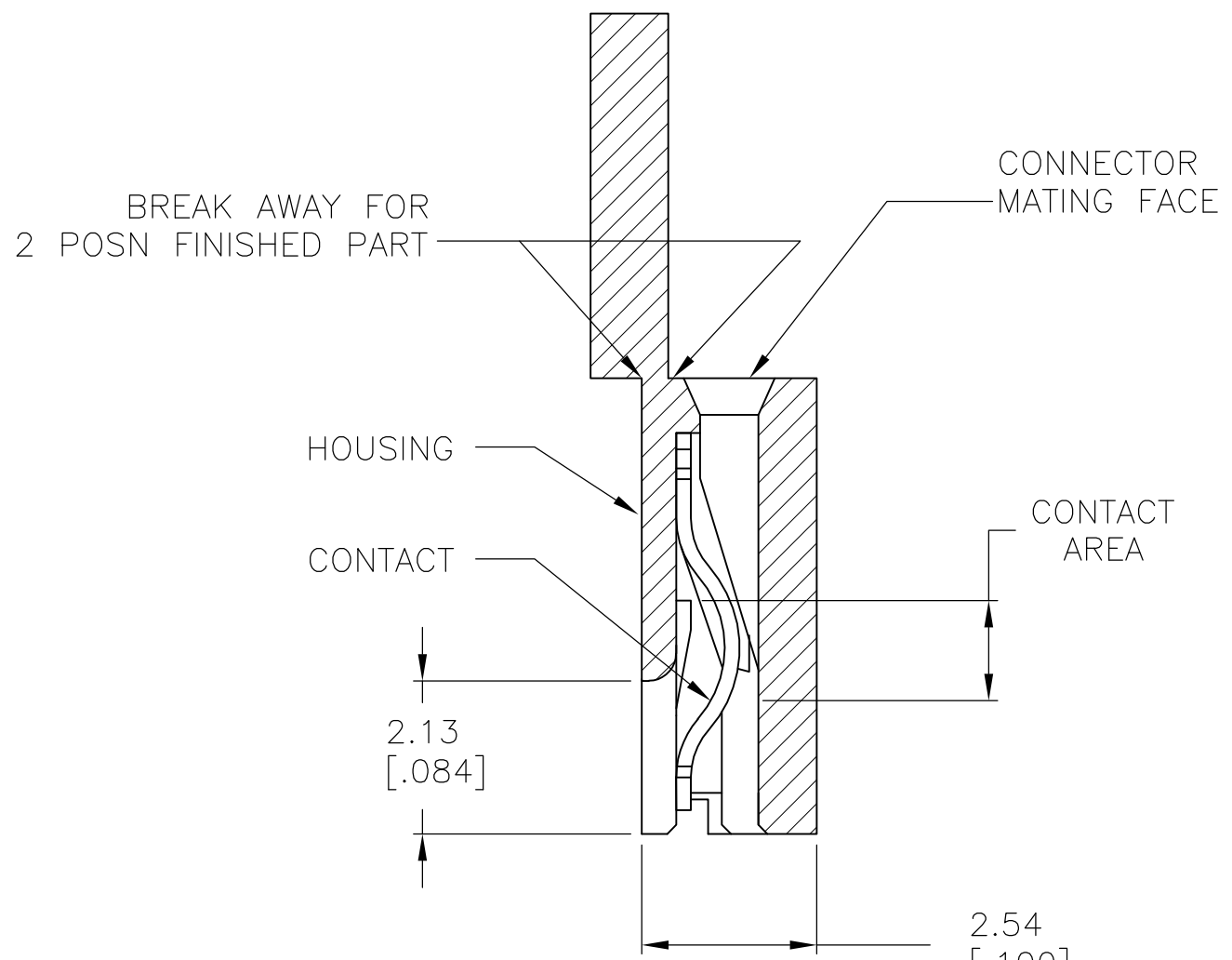
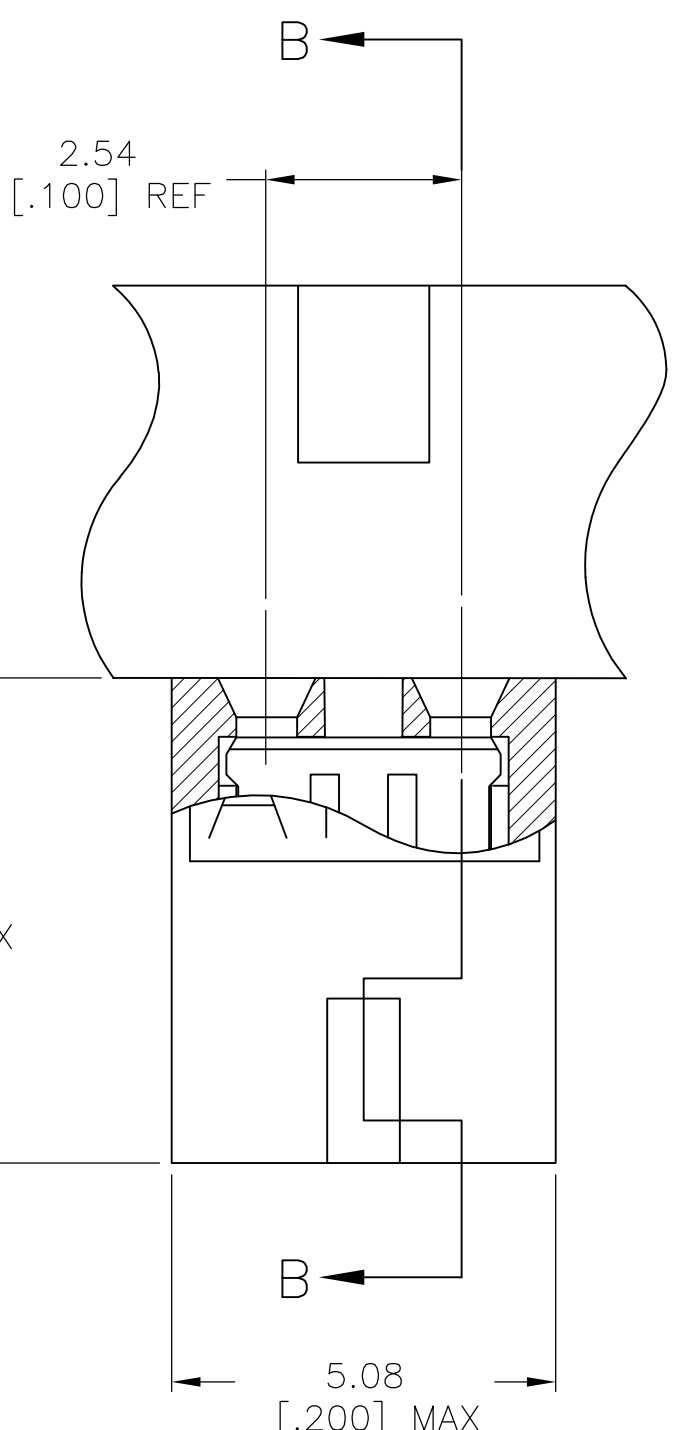
LOC	DIST	REVISIONS					
		P	LTR	DESCRIPTION	DATE	DWN	APVD
AG	53		L	REVISED PER ECO-15-006927	17JUN2015	NK	MM



- 7 PART NO. DENOTES INDIVIDUAL TWO POSITION SHUNT WHICH IS PACKAGED LOOSE PIECE.
- 8 CONTACT PLATED WITH 0.00076[.000030] GOLD IN CONTACT AREA OVER 0.00127[.000050] NICKEL OVERALL.
- 9 CONTACT PLATED WITH 0.00254[.000100] MATTE TIN OVER ALL.

- 1 MATERIAL: HOUSING: GLASS-FILLED POLYESTER, COLOR-SEE TABLE.
- 2 CONTACT PLATED WITH 0.00254[.000100] TIN-LEAD OVER ALL.
- 3 CONTACT PLATED WITH 0.00038[.000015] GOLD IN CONTACT AREA OVER 0.00127[.000050] NICKEL OVER ALL.
- 4 PART NO. DENOTES INDIVIDUAL TWO POSITION SHUNT, WHICH IS PACKAGED ON BREAKAWAY COMBS OF TEN SHUNTS.
- 5 CONNECTOR MATES WITH WIRE WRAP POSTS, 0.64[.025] SQUARE OR ROUND AND 0.56[.022] X 0.66[.026] POSTS. LENGTH 5.08[.200] MINIMUM.
- 6 CONTACT PLATED WITH 0.00013[.000005] GOLD IN CONTACT AREA OVER 0.00127[.000050] NICKEL OVER ALL.

SEE DETAIL A



SECTION B-B
SCALE 10:1

DETAIL A
SCALE 10:1

CONTACT MATERIAL	HOUSING COLOR	FINISH	PART NO
PHOSPHOR BRONZE	BLACK	9	2-382811-1 4
PHOSPHOR BRONZE	BLACK	8	2-382811-0 4
PHOSPHOR BRONZE	BLACK	2	1-382811-9 7
PHOSPHOR BRONZE	BLACK	6	1-382811-8 7
PHOSPHOR BRONZE	RED	2	1-382811-7 4
PHOSPHOR BRONZE	BLACK	3	1-382811-6 7
PHOSPHOR BRONZE	BLACK	8	1-382811-5 7
PHOSPHOR BRONZE	RED	8	1-382811-4 4
PHOSPHOR BRONZE	BLUE	8	1-382811-3 4
PHOSPHOR BRONZE	BLACK	9	1-382811-2 7
PHOSPHOR BRONZE	BLUE	9	1-382811-1 4
OBSELETE BERYLLIUM COPPER	BLACK	3	1-382811-0 4
PHOSPHOR BRONZE	RED	3	382811-9 4
PHOSPHOR BRONZE	BLACK	6	382811-8 4
PHOSPHOR BRONZE	RED	9	382811-7 4
PHOSPHOR BRONZE	BLACK	3	382811-6 4
PHOSPHOR BRONZE	BLACK	2	382811-5 4
PHOSPHOR BRONZE	BLUE	6	382811-4 4
PHOSPHOR BRONZE	RED	6	382811-3 4
PHOSPHOR BRONZE	BLUE	3	382811-2 4
PHOSPHOR BRONZE	BLUE	2	382811-1 4

THIS DRAWING IS A CONTROLLED DOCUMENT.		DWN W. SORAH 8-18-93	TE TE Connectivity	
DIMENSIONS: mm [INCHES]		CHK R. TALLEY 8-23-93		
TOLERANCES UNLESS OTHERWISE SPECIFIED:		APVD D. HUFFMAN 8-23-93	NAME	
0 PLC ± -		PRODUCT SPEC	ECONOMY SHUNT ASSEMBLY	
1 PLC ± -		APPLICATION SPEC	108-1476	
2 PLC ± 0.26 [.010]		WEIGHT	114-1059	
3 PLC ± -		SCALE	A2 00779 C=382811	
4 PLC ± -		CUSTOMER DRAWING	SCALE 4:1 SHEET 1 OF 1 REV L	
ANGLES ± -				
FINISH				
HOUSING CONTACT: SEE TABLE				